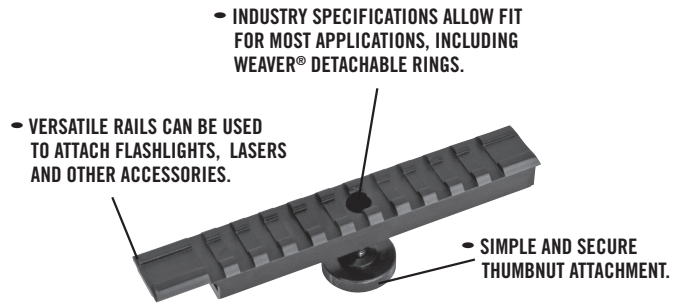


48320



## TACTICAL AR-15 SINGLE RAIL CARRY HANDLE MOUNT

**⚠ WARNING: UNLOAD FIREARMS BEFORE INSTALLATION TO PREVENT SHOOTING ACCIDENTS.**



### ASSEMBLY INSTRUCTIONS:

1. Remove thumbnut and spring washer from mount.
2. Place mount on firearm carry handle so that the tapered end of mount is positioned to the rear of firearm.
3. Install thumbnut with spring washer and tighten securely. NOTE: Thread adhesive may be used to provide added security.